

Application scope



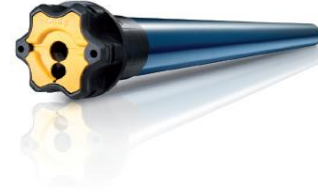
Renovation Rolling Shutter



Combined Window Shutter



Wall Integrated Rolling Shutter



Main functionalities

- Plug & Play
- WT technology
- Star head / Thin head
- Pluggable cable
- Obstacle detection
- Protection against freezing
- No Back release
- Not compatible ABS wheel
- Not compatible with differential

Specifications

Electrical

Nominal voltage	230V / 50Hz
Power supply tolerance	195,5V - 255V
Cable length	3 m
Cable type	VV F
Wire section	4 x 0,75 mm ²
Insulation class	Class I
Standby consumption	0,46 W max

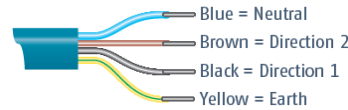
Performance

Index protection rating	IP44
Type of limit switch unit (LSU)	Electronic limit switch unit
Thermal time	4 min
Maximum time of functioning without stop	3 min
Minimum rolling tube Ø (ext)	50
ESD reinforced immunity	Air: up to 15kV - Contact: up to 8kV Stop always at the torque detection limit for nominal torque ≤ 15 N.m & less <± 15° for nominal torque ≥ 20 N.m
Repeatability	14 000 cycles
Life time (At nominal torque) on end-product	Measured at nominal torque in up direction According to SOMFY measures (for information only). Max value : in load up & down direction during 10 seconds.
Noise level (*)	EN13659 / EN14202
End product standard	EN60335-2-97
Motor standard	Self detection of rotation and Automatic adjustment dedicated for Roller shutter with rigid lings and stoppers
Type of adjusting of the end limits	500 ms
Min. pause between clockwise and anti-clockwise actuation	420 ms max
Starting reponse time	

Temperature

Normal temperature working range	-20°C +70°C
Temperature storage range	-20°C +80°C

Wired Technology



Cable weight 3m = 0.24 kg

Approvals

<https://www.somfy.com/ce/en-en/>

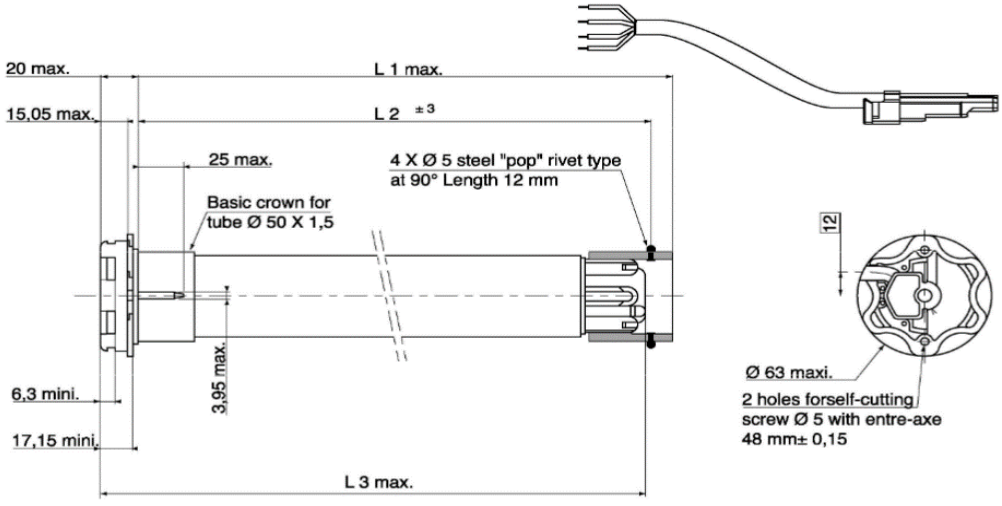
Range

Unit	N.m	rpm	mm	mm	mm	mm	W	A	°C	Kg	DBA
Designation	Nominal Torque	Nominal Speed	L1	L2	L3 max	Tube	Rated power*	Rated current*	Thermal tripping	Weight **	Noise*
ILMO 50 WT 6/17	6	17	505	490	513	440	90	0,4	140	1.45	54
ILMO 50 WT TH 6/17	6	17	505	490	513	440	90	0,4	140	1.45	54
ILMO 50 WT 10/17	10	17	505	490	513	440	120	0,5	140	1.50	54
ILMO 50 WT TH 10/17	10	17	505	490	513	440	120	0,5	140	1.50	54
ILMO 50 WT 15/17	15	17	525	510	533	460	140	0,65	150	1.70	56
ILMO 50 WT TH 15/17	15	17	525	510	533	460	140	0,65	150	1.70	56
ILMO 50 WT 20/17	20	17	605	590	613	540	160	0,75	150	1.88	59
ILMO 50 WT TH 20/17	20	17	605	590	613	540	160	0,75	150	1.88	59
ILMO 50 WT 30/17	30	17	655	640	663	590	240	1,1	150	2.23	62,5
ILMO 50 WT TH 30/17	30	17	605	590	613	540	240	1,1	150	2.23	62,5
ILMO 50 WT 35/17	35	17	655	640	663	590	240	1,1	150	2.23	64

* At nominal torque & room temperature (25°C) ** without cable

Drawing

STAR HEAD



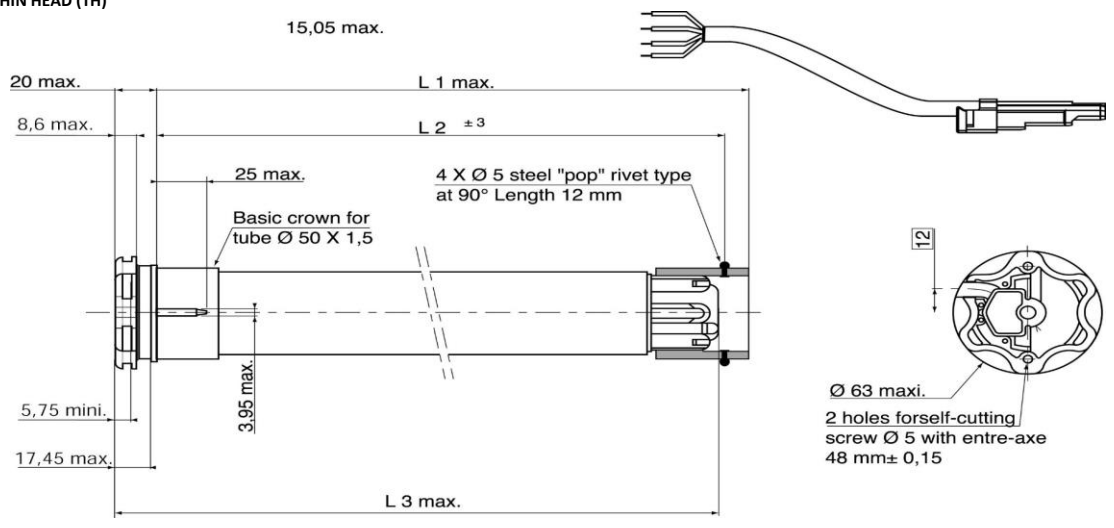
Direction 2	Brown
Direction 1	Black
Neutral	Blue
Earth	Yellow / Grey



SOMFY ACTIVITES SA
50 avenue du Nouveau Monde
BP 152 - 74307 Cluses cedex - France

Drawing

THIN HEAD (TH)



Direction 2	Brown
Direction 1	Black
Neutral	Blue
Earth	Yellow / Grey



SOMFY ACTIVITES SA
50 avenue du Nouveau Monde
BP 152 - 74307 Cluses cedex - France